

GHK-CH35 Soft Close Counter Hook

Features

- Recessed mount on the back of top board provides clean appearance
- Hook can be seen at the edge when unused
- Hook will not protrude top board when used
- Hook closes and retracts into body when hooked items are removed
- Damper mechanism provides soft and slow closing

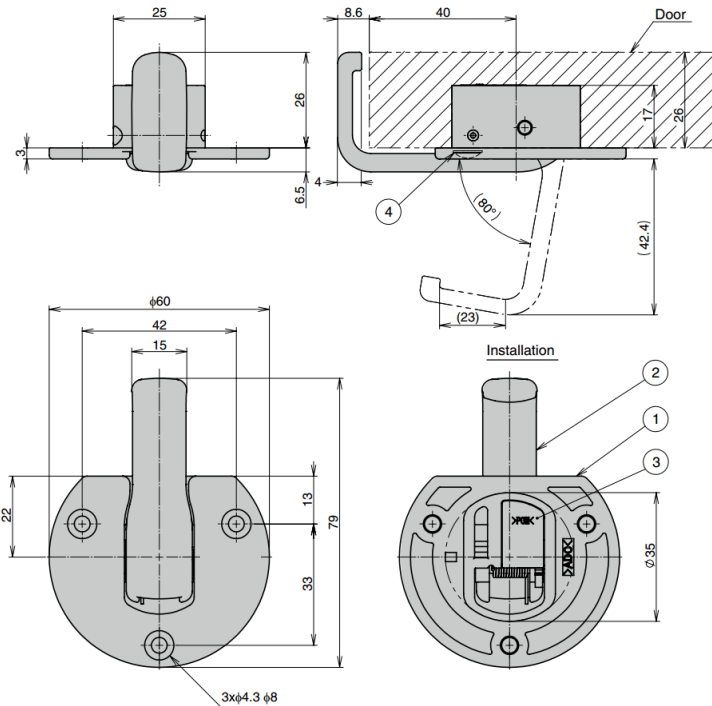
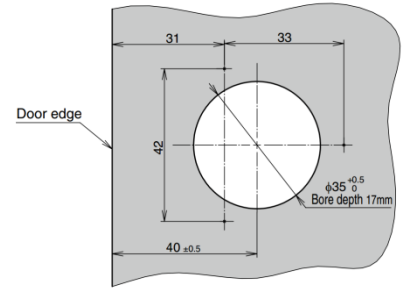
Notes

- Applicable board thickness: Min. 26 mm. For board thickness below 26 mm, please use optional spacer and adjust the hook installation position
- Install to top board with adequate strength
- Spacer sold separately

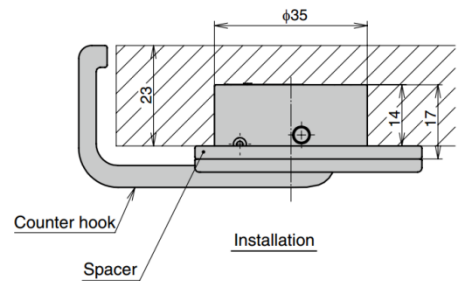
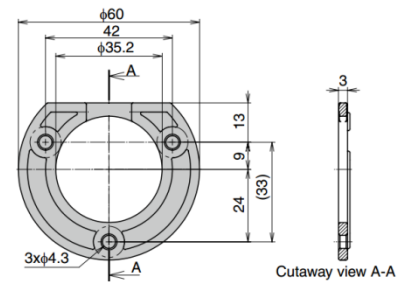
Parts Included

- Countersunk head tapping screw 4x20

Board Thickness	Qty of Spacers	Bore Depth
Min. 26mm	None	17mm
23~26mm	1 pcs	14mm
20~23mm	2 pcs	11mm
17~20mm	3 pcs	8mm



Spacer



Hook

Part No.	Colour	Load Capacity	
GHK-CH35-BL	Black	98 N	10 kg
GHK-CH35-BR	Brown		
GHK-CH35-SL	Silver		

No.	Part Name	Material	Finish / Colour
①	Body	Aluminium Alloy (ADC)	Enamel Finish/Black, Silver, Brown
②	Arm	Aluminium Alloy (ADC)	Enamel Finish/Black, Silver, Brown
③	Cover	POM	—
④	Bumper	PUR	Clear
⑤	Spacer	PA	Black

Spacer (Sold Separately)

Part No.
GHK-CH35-DP3